

JD111-RG Traffic Indicator User Manual



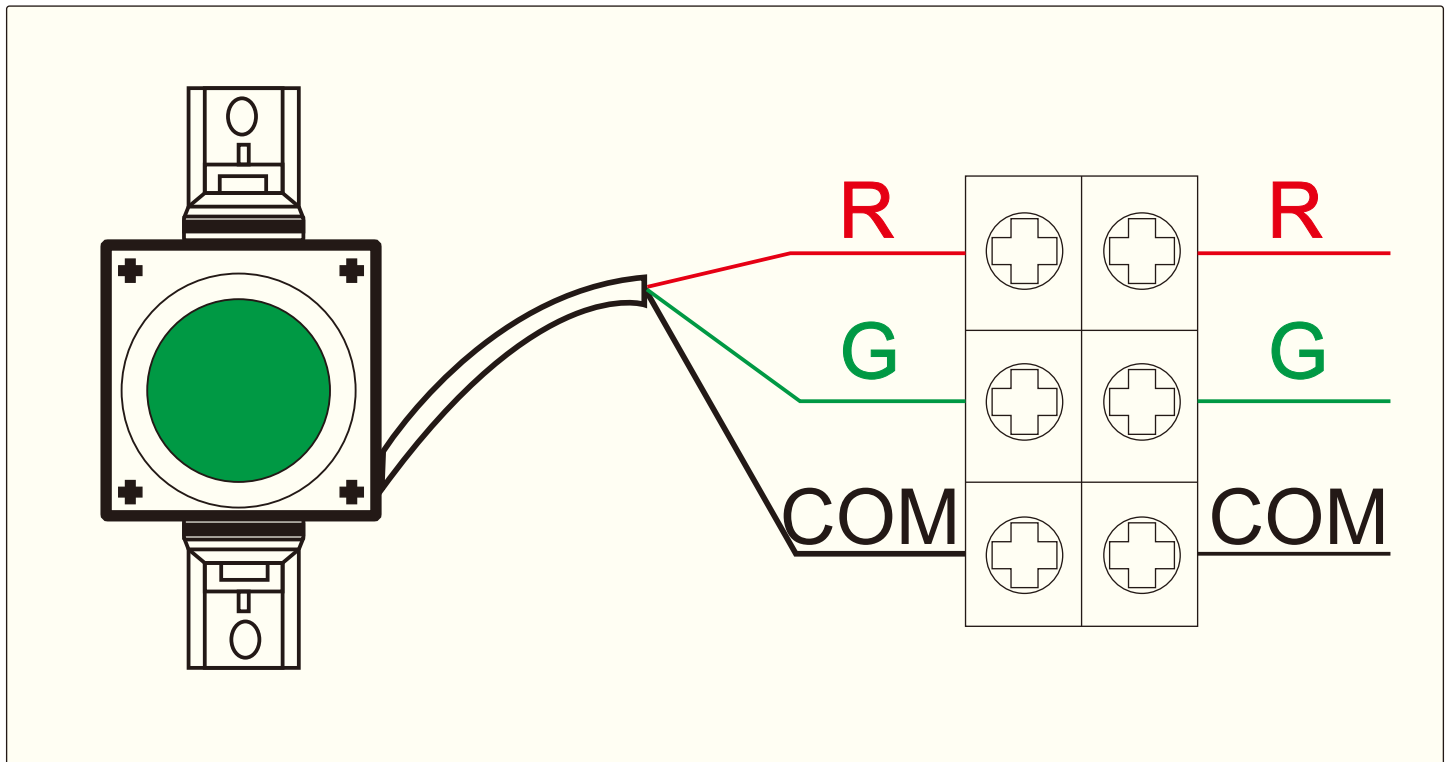
Performance Specifications

- ▶ Shape:100mm (4")
- ▶ High brightness LEDs with integrated optics
- ▶ Moisture and dust tight seal:IP65
- ▶ Total Harmonic Distortion<20%
- ▶ Operating Temperature Range(optional):-20°C to 60°C
- ▶ Angle:Avg. ≥30° Down ≥30°
- ▶ Operating voltage Range:85~265VAC
- ▶ Insulation Resistance:≥2M
- ▶ Life:100,000H
- ▶ Housing material:PC

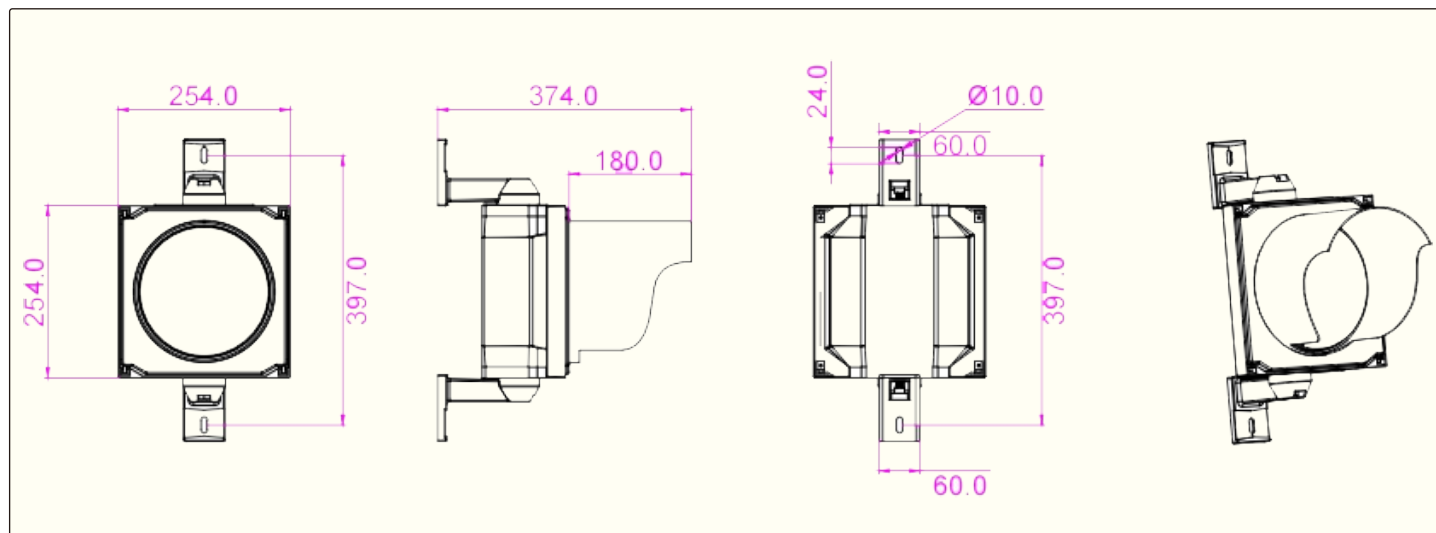
Features/Benefits

- ▶ Reduce overall operating & Maintenance costs:Energy saving:90% reduction in power consumption vs incandescent
- ▶ Reliability & traffic safety:· Improved visibility over life of the product Reduces emergency lamps outs Design minimizes sun phantom effects
- ▶ Easy to install into existing signal enclosure

Connection Details



Size:Unit:(inch:mm)

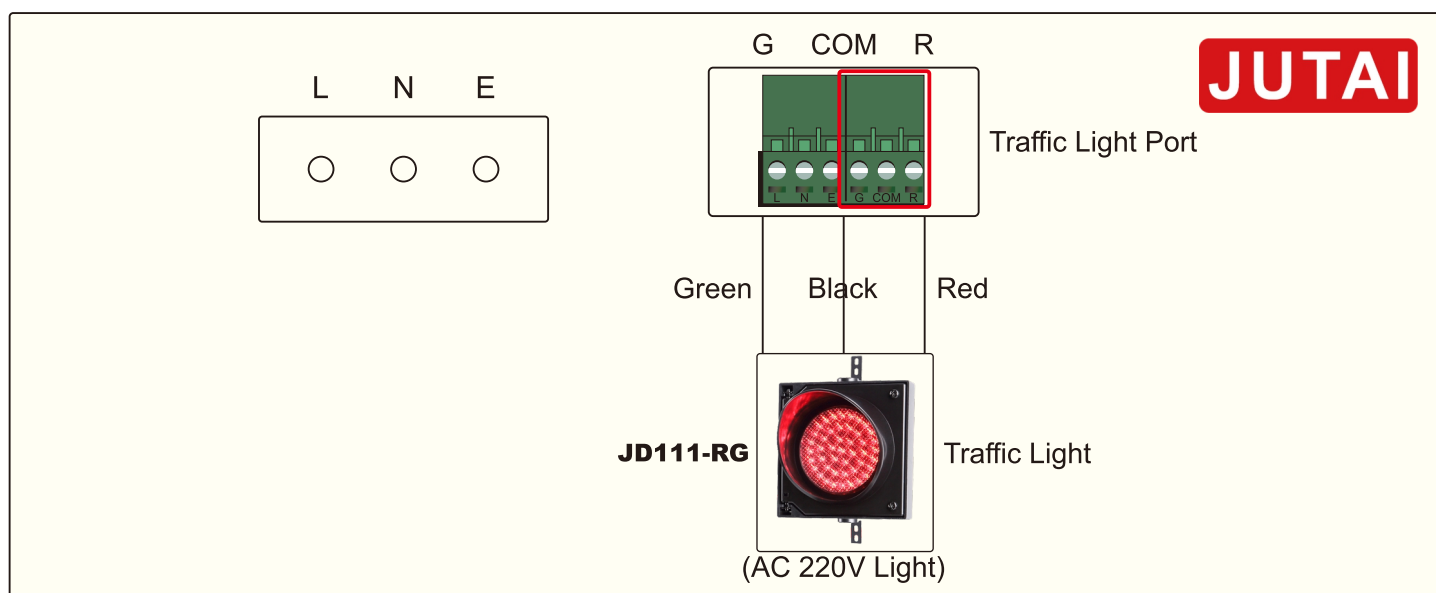


Characteristics

Color	Size	Model Number	Profile	Voltage(VAC)	LEDs	Typical Wattage at 25°C	Lumina nce (cd/m ²)	Typical Dominant Wavelength (nm)
	(mm)							
Red	100	JD100R-1	Round	85~265 VAC	45s	<5	>1000	625
Green		JD100G-1						<5.5

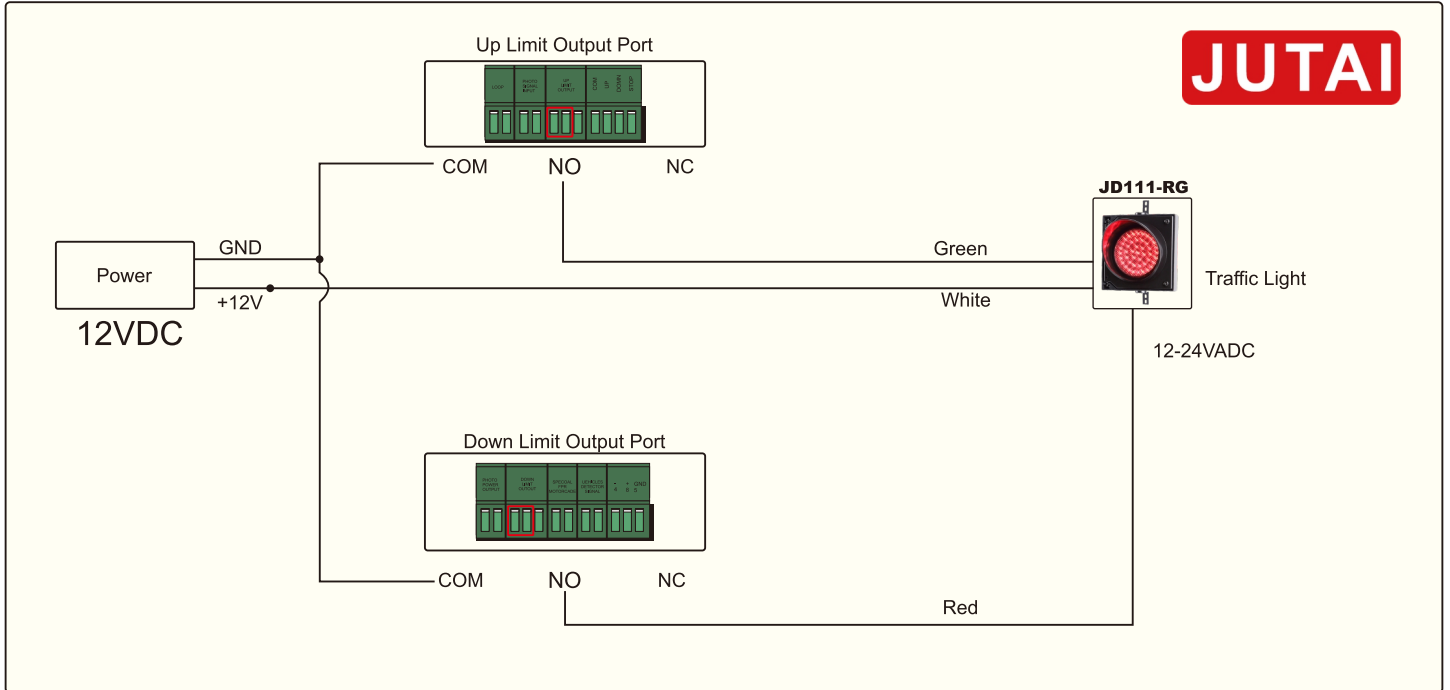
JUTAI 110-240V Traffic Signal Lamp Connection

JUTAI BR-C intelligent barrier control panel has a perfect design. It has a Safety Loop Sensor Interface (with JUTAI LD-100), Safety infrared Photocell Interface (with Model IR-20), and Traffic Signal light Warning Interface (with JD112HF-C), this Connection Details Shows how to connect JUTAI signal light, we only need to connect the light to three interfaces G.COM, R Port of BR-C Controller, and take Power Supply directly from the control board. no need for additional external power supply;



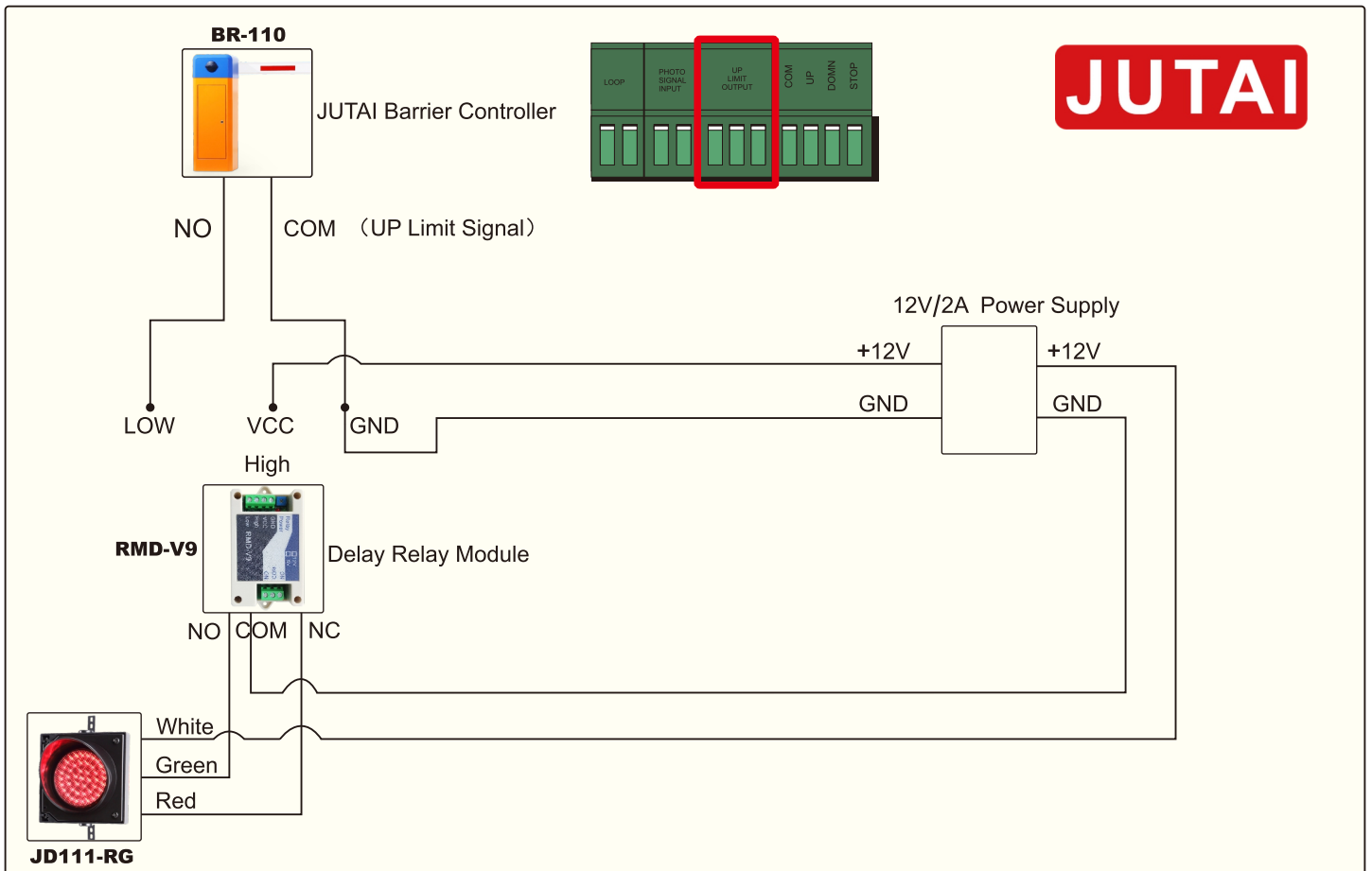
JUTAI 12-24V Traffic Signal Lamp Connection

When connect JUTAI 12-24V Traffic Signal Lamp ,we need to replace connection place and need to prepare Independent power adapter ,details please refer to following connection;



The Third Part Brand Barrier Controller

For the third part of barrier controller manufacturers, there is no specific signal light interface location, we need to use our signal light (12-24V) with the RMD-V9 delay relay conversion board, and prepare a separate power adapter with 12V power supply,connect to the corresponding interface of the barrier, realize the signal warning function;



Order Information

The following traffic light suite same application, Customers can do selection for the different projects Request

JD100-RG	JD111-RG	JD112F-C	JD112HF-C	JD113HF-C
				
SL200HP-AV9	JD212HF-C	JD213HF-C	BR-101B	
				