


JD212HF-C High Flux Traffic Signal Brochure



Features/Benefits

Component from Japan/USA	
Meet CE, EN12368, standard	
PF>0.9, THD<20%	
Super fast turn on, super fast turn off, time less 50ms	
Working temperature environment:-40°C ~+ 70 °C	
LED-based traffic signal modules	
Uniform signal appearance / no LED dots visible	
Custom-made symbol masks on request	
Design minimizes sun phantom effects	
Easy to install into existing signal enclosure	

Specifications

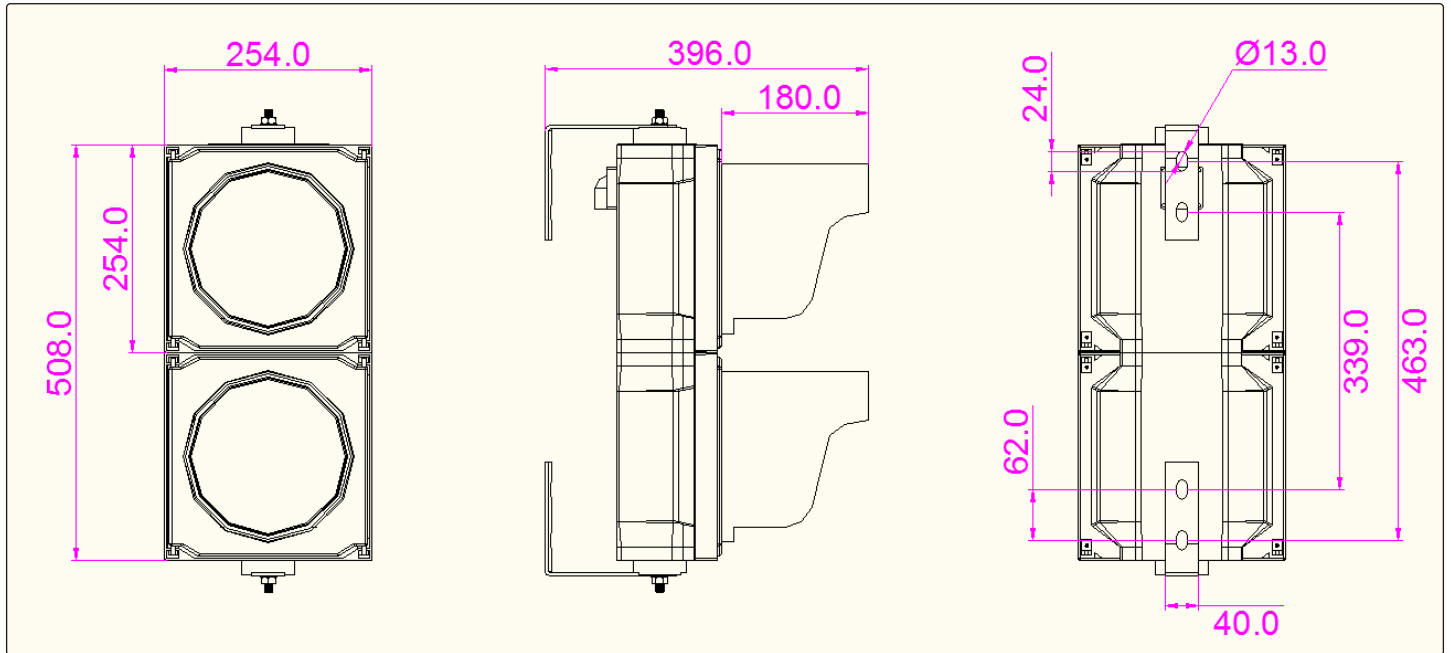
Items	Red	Green
Size	210mm	210mm
Color	Red	Green
LEDs (pcs)	3	3
Luminance intensity(cd) acc.to EN12368	>200/400	>200/400
Colour acc. To EN12368	613.5-631nm	498.5-508nm
Uniformity acc. To EN12368	Better than 1:2.5	Better than 1:2.5
LED type	High flux	
Power consumption (W)	>6	>6
Typical Dominant Wavelength(mm)	625	505
Housing material	PC (UV-stabilized polycarbonate)	
Lens	tinted Len	
Operating Voltage (V)	12-24V DC or 120VAC or 230VAC/240VAC	
Power Factor	>0.9	
Operating temperature (°C)	-40°C ~+ 70 °C	
Insulation resistance	≥2M	
Total harmonic distortion	<20%	
Material of lens/housing	UV-stabilized polycarbonate	
IP rate	Ip55	

Package Information (mm)

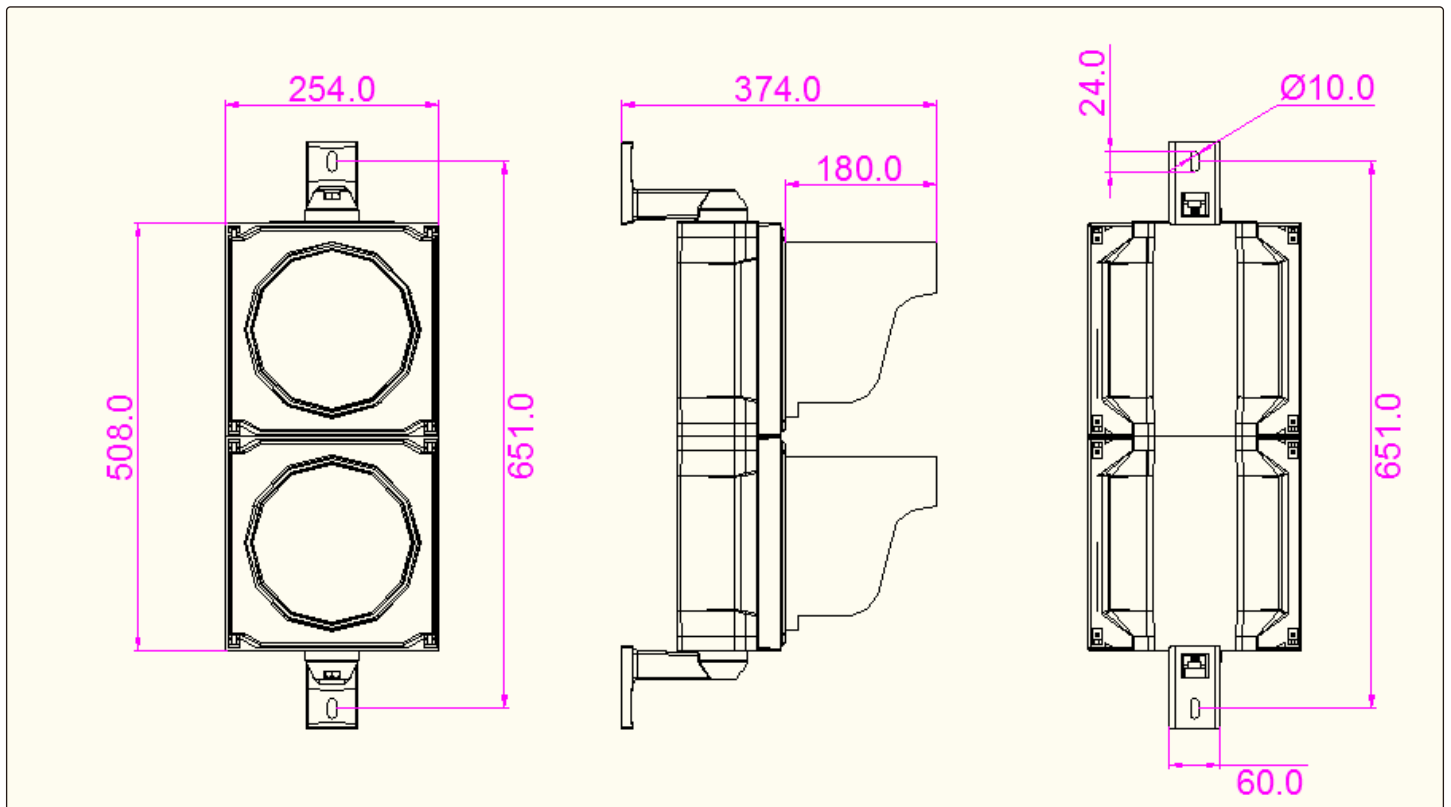
JD212HF-C	Housing Material	Dim.of Outer Carton(mm)	Quantity/CT N	G.W/CTN	N.W/CTN	Packing
	PC	680*320*230	1PCS	6.5kg	5.6kg	Carton

Size:Unit:(inch:mm)

L Support Type

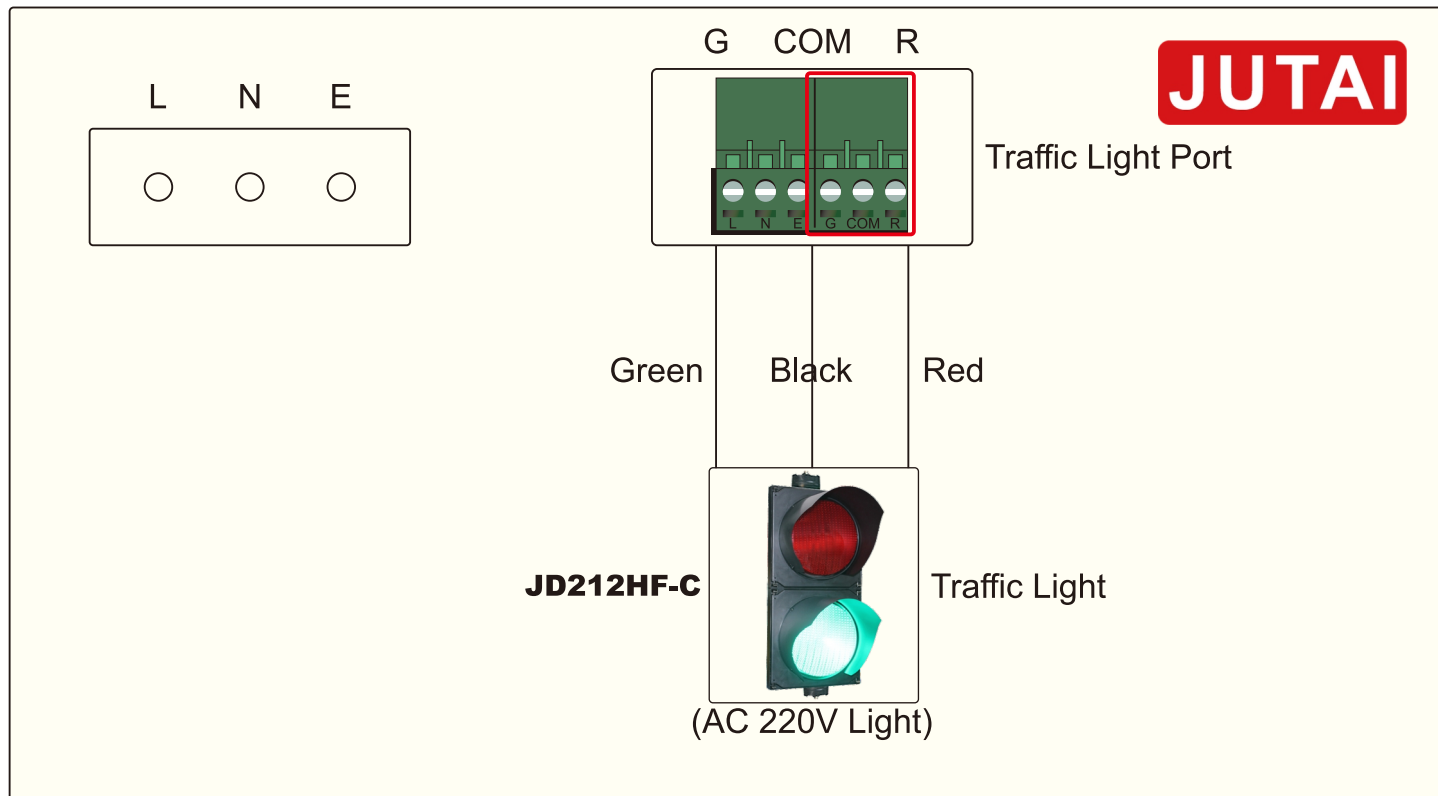


C Support Type



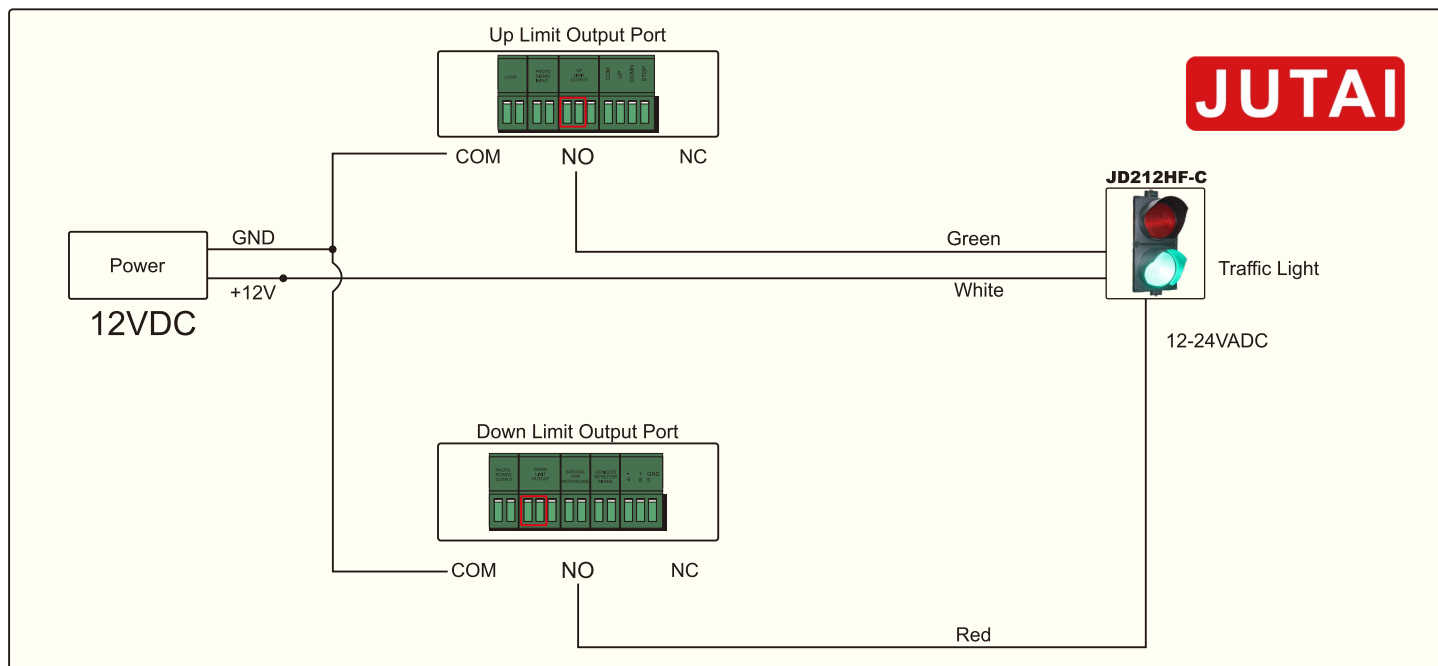
JUTAI 110-240V Traffic Signal Lamp Connection

JUTAI BR-C intelligent barrier control panel has a perfect design. It has a Safety Loop Sensor Interface (with JUTAI LD-100), Safety infrared Photocell Interface (with Model IR-20), and Traffic Signal light Warning Interface (with JD112HF-C), this Connection Details Shows how to connect JUTAI signal light, we only need to connect the light to three interfaces G.COM, R Port of BR-C Controller, and take Power Supply directly from the control board. no need for additional external power supply;



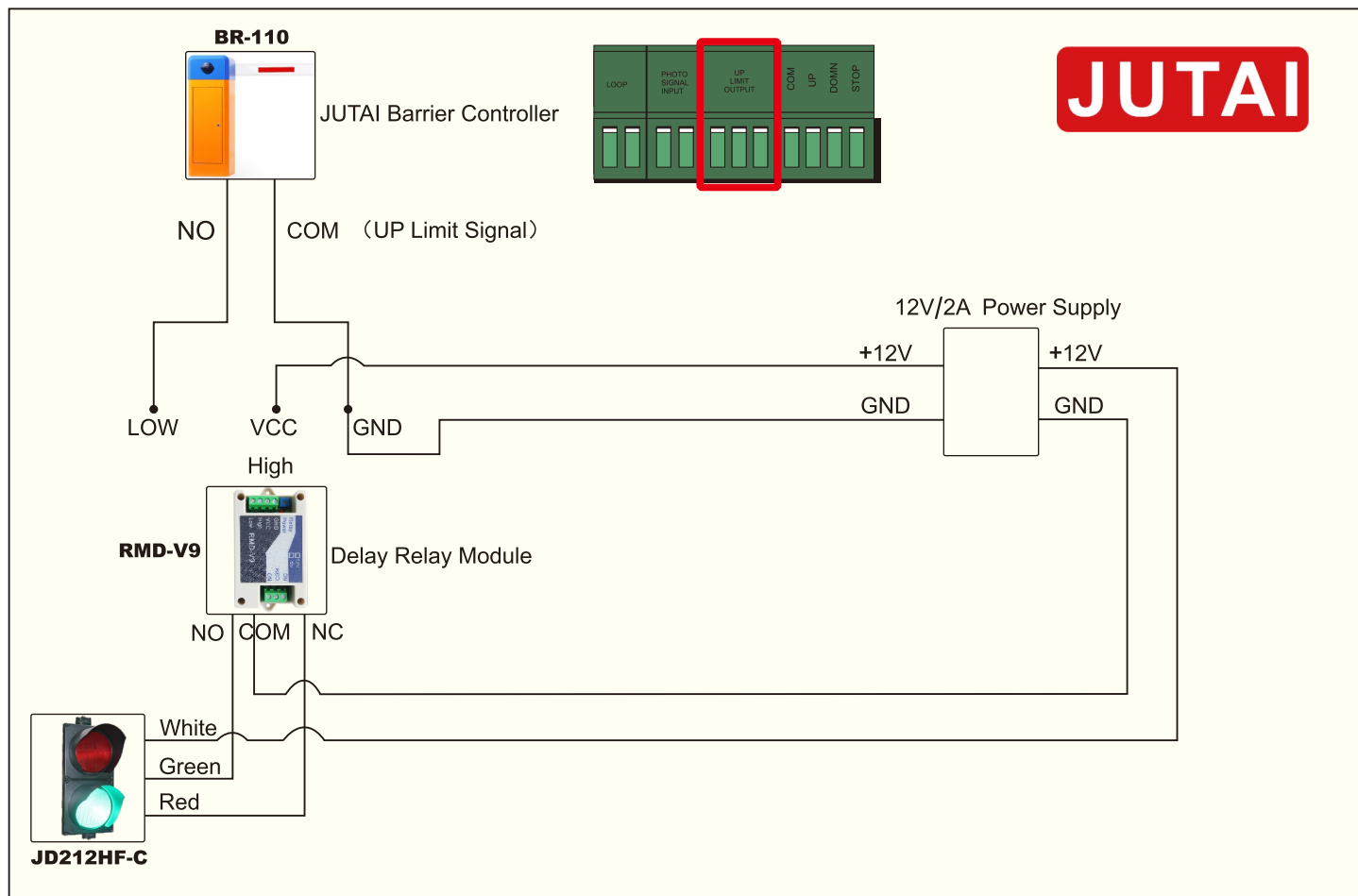
JUTAI 12-24V Traffic Signal Lamp Connection

When connect JUTAI 12-24V Traffic Signal Lamp ,we need to replace connection place and need to prepare Independent power adapter ,details please refer to following connection



The Third Part Brand Barrier Controller

For the third part of barrier controller manufacturers, there is no specific signal light interface location, we need to use our signal light (12-24V) with the RMD-V9 delay relay conversion board, and prepare a separate power adapter with 12V power supply, connect to the corresponding interface of the barrier, realize the signal warning function;



Order Information

The following traffic light suite same application, Customers can do selection for the different projects Request

JD100-RG	JD111-RG	JD112F-C	JD112HF-C	JD113HF-C
SL200HP-AV9	JD212HF-C	JD213HF-C	BR-101B	